



AGD AND AGD4A SERIES AIR GAP DRAINS

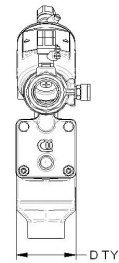
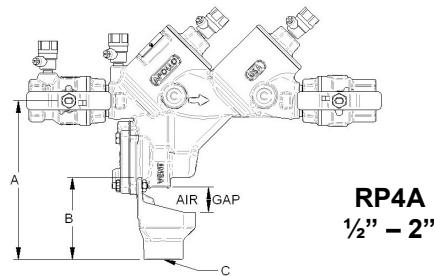
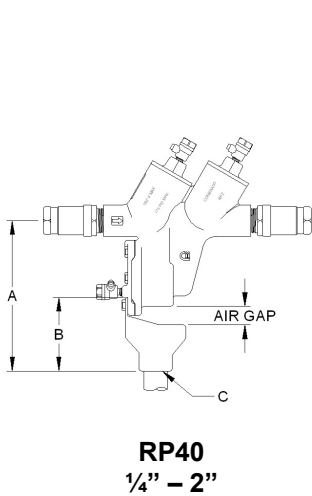
Job Name:	Contractor:
Job Location:	P.O. Number:
Engineer:	Representative:
Tag:	Wholesale Distributor:

DESCRIPTION

The Apollo Air Gap Drain (AGD) is designed to funnel minor discharges from a Reduced Pressure Backflow Preventer's relief valve due to line pressure fluctuations and/or minor check valve fouling, into the drainage system. Drain piping is easily attached to the AGD's threaded bottom outlet. The AGD4A series ABS plastic AGDs have the additional option of using the outlet OD to glue on a coupling using the appropriate cement or the use of a flexible pipe coupling.

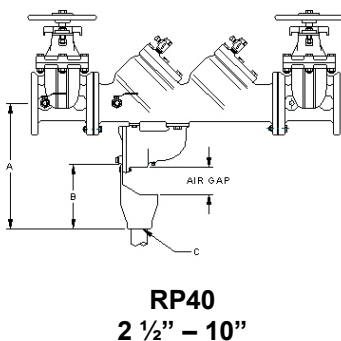
Note: The AGD is **NOT** designed to collect the full discharge capacity of the relief valve. Please refer to the charts on pages 2 and 3 for RP Relief Valve full discharge rates.

The appropriate AGD should be selected for Apollo's Reduced Pressure RP4A and RP40 Series backflow preventers from the table below.



RP4A Series	AGD Model No.	Order Code	A	B	C	OD of C	D	Wt.Each
1/2"	AGD4A1	AGD4A1	6 1/2	3 3/8	1" FNPT	1 1/4" Pipe	2 5/8	0.1
3/4"	AGD4A1	AGD4A1	6 1/2	3 3/8	1" FNPT	1 1/4" Pipe	2 5/8	0.1
1"	AGD4A1	AGD4A1	6 5/8	3 3/8	1" FNPT	1 1/4" Pipe	2 5/8	0.1
1 1/4" & 1 1/2"	AGD4A112	AGD4A112	8 1/2	4 1/8	1 1/2" FNPT	2" Pipe	3 1/2	0.2
2"	AGD4A2	AGD4A2	10	5 3/8	2" FNPT	2 1/2" Pipe	4 1/4	0.35

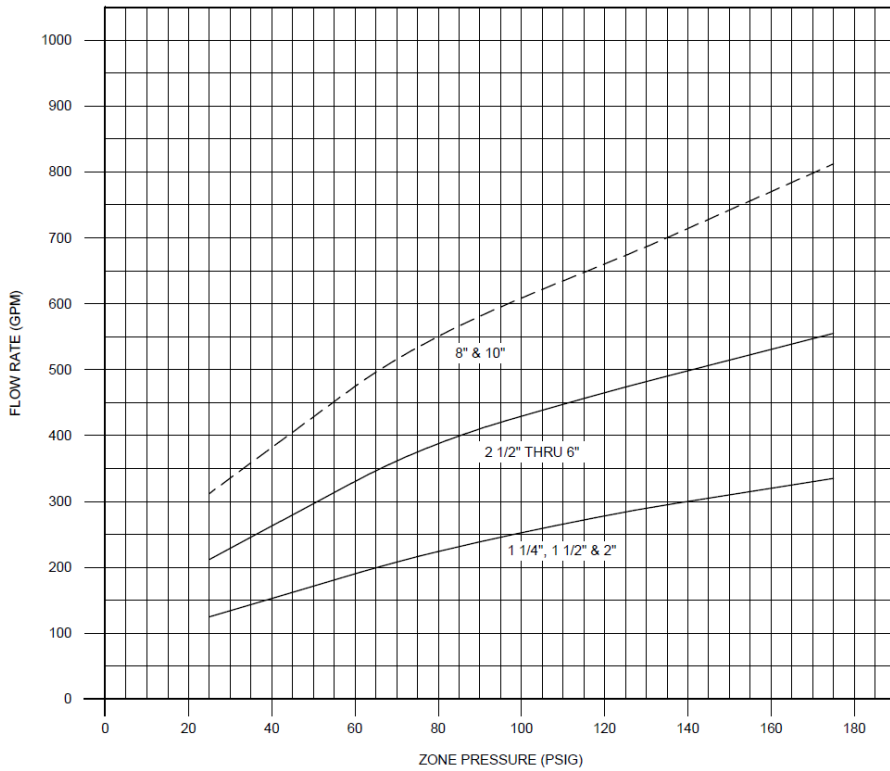
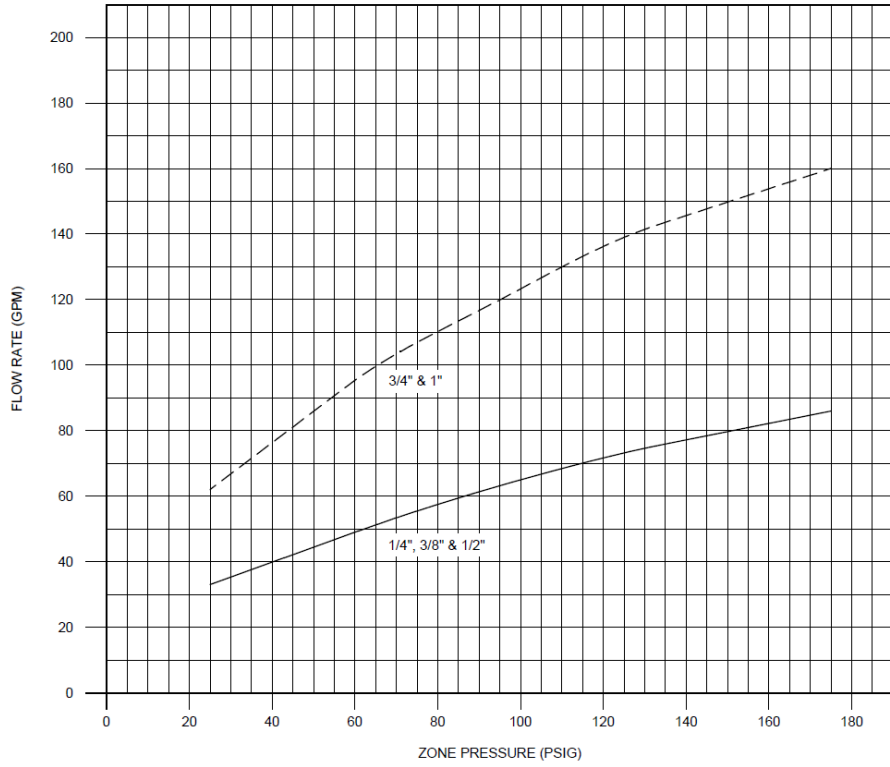
RP40 Series	AGD Model No.	Order Code	A	B	C	OD of C	D	Wt.Each
1/4", 3/8", 1/2"	AGD4012	AGD4012	6 1/2	3 3/8	1" FNPT	1 1/4" Pipe	2 5/8	0.1
3/4" & 1"	AGD401	AGD401	8 1/4	4 1/8	1 1/2" FNPT	2" Pipe	3 1/2	0.2
1 1/4", 1 1/2", & 2"	AGD2	40-200-X1	11 1/4	5 1/8	1" FNPT	N/A	5 1/4	3.4
2 1/2" & 3"	AGD3	40-200-X2	19	9 7/8	2" FNPT	N/A	7	11.0
4"	AGD3	40-200-X2	20	9 7/8	2" FNPT	N/A	7	11.0
6"	AGD3	40-200-X2	21	9 7/8	2" FNPT	N/A	7	11.0
8"	AGD4	40-200-X3	22 11/16	12 11/16	3" FNPT	N/A	10	12.45
10"	AGD4	40-200-X3	25 11/16	12 11/16	3" FNPT	N/A	10	12.45



Conbraco Industries, Inc. 701 Matthews Mint Hill Rd. Matthews NC 28105 USA ; www.apollovalves.com ; 704-841-6000

This specification is provided for reference only. Conbraco reserves the right to change any portion of this specification without notice and without incurring obligation to make such changes to Conbraco products previously or subsequently sold.

AGD AND AGD4A SERIES AIR GAP DRAINS

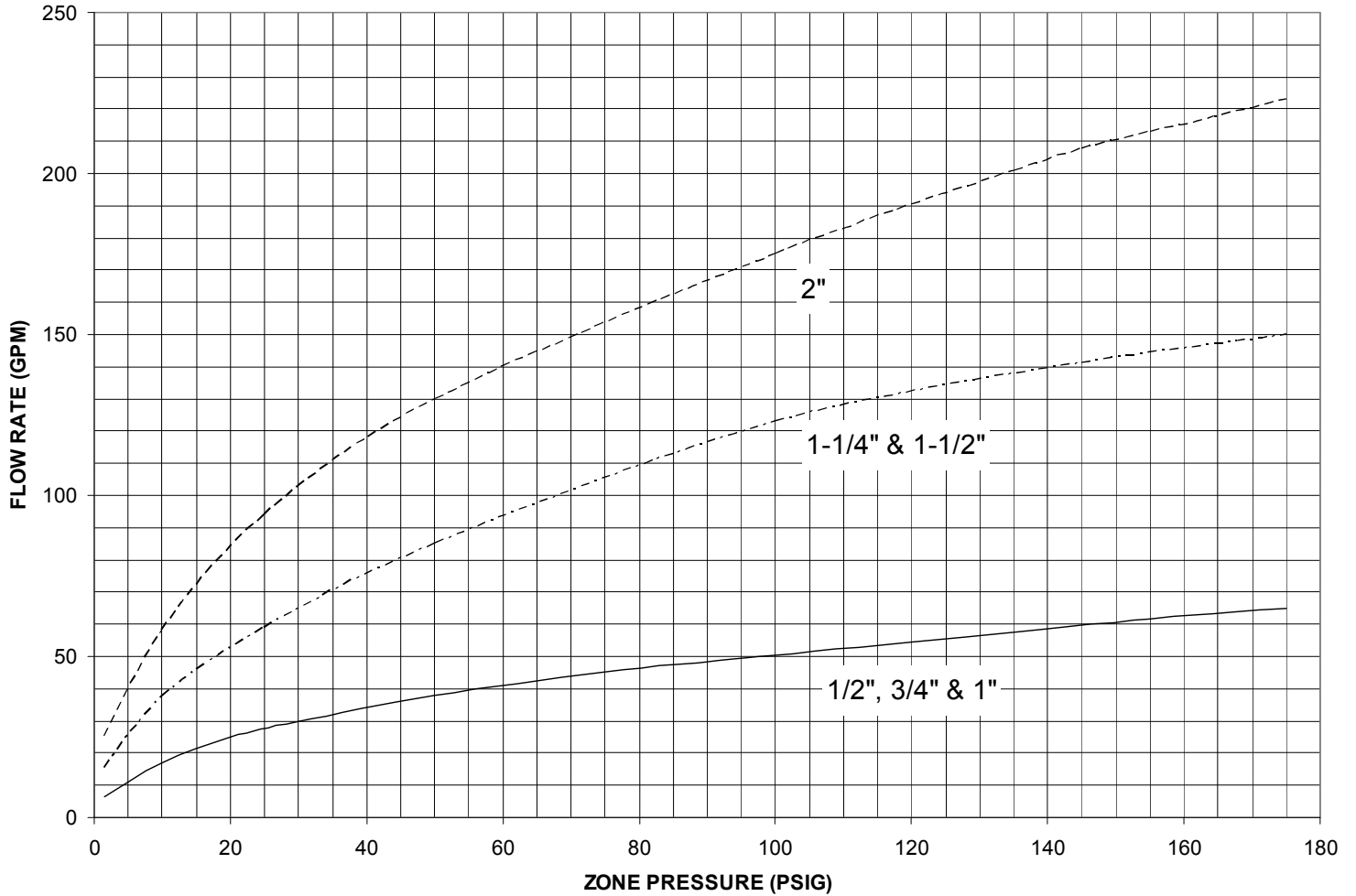


RELIEF VALVE DISCHARGE RATES MODEL RP40

Conbraco Industries, Inc. 701 Matthews Mint Hill Rd. Matthews NC 28105 USA ; www.apollovalves.com ; 704-841-6000

This specification is provided for reference only. Conbraco reserves the right to change any portion of this specification without notice and without incurring obligation to make such changes to Conbraco products previously or subsequently sold.

AGD AND AGD4A SERIES AIR GAP DRAINS



**RELIEF VALVE DISCHARGE RATES
MODEL RP4A**



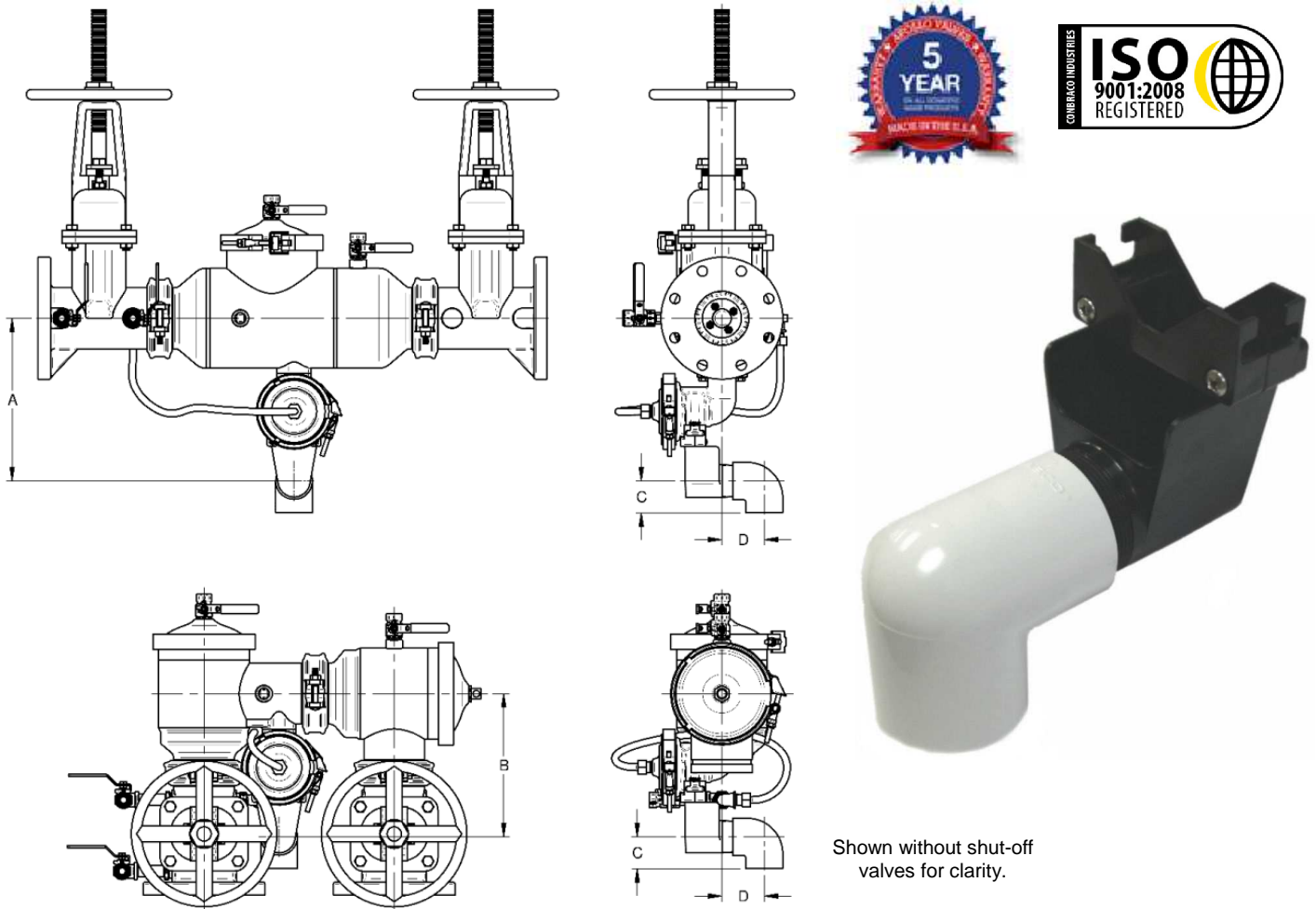
AGD4A SERIES AIR GAP DRAINS

Job Name:	Contractor:
Job Location:	P.O. Number:
Engineer:	Representative:
Tag:	Wholesale Distributor:

DESCRIPTION

The Apollo Air Gap Drain (AGD4A6) is designed to funnel minor discharges from a Reduced Pressure Backflow Preventer's relief valve due to line pressure fluctuations and/or minor check valve fouling into the drainage system. Drain piping is easily attached to the AGD's threaded bottom outlet. The AGD4A6 fits Apollo's Model RP4A and RP4AN in sizes 2 1/2", 3", 4", and 6". The AGD4A6 is ABS and PVC plastic with stainless steel screws and nuts.

Note: The AGD4A6 is **NOT** designed to collect the full discharge capacity of the relief valve. Please refer to page 4 for RP Relief Valve full discharge rates.



Shown without shut-off valves for clarity.

RP4A Series RP4AN Series	AGD Model No.	Order Code	A	B	C	D	Outlet Connection	Wt. Each
2-1/2"	AGD4A6	AGD4A6	11.28	10.87	2.63	3.13	2" FNPT	0.7
3"	AGD4A6	AGD4A6	11.28	10.87	2.63	3.13	2" FNPT	0.7
4"	AGD4A6	AGD4A6	12.02	10.51	2.63	3.13	2" FNPT	0.7
6"	AGD4A6	AGD4A6	13.32	11.76	2.63	3.13	2" FNPT	0.7

Conbraco Industries, Inc. 701 Matthews Mint Hill Rd. Matthews NC 28105 USA ; www.apollovalves.com ; 704-841-6000

This specification is provided for reference only. Conbraco reserves the right to change any portion of this specification without notice and without incurring obligation to make such changes to Conbraco products previously or subsequently sold.

AGD4A SERIES AIR GAP DRAINS

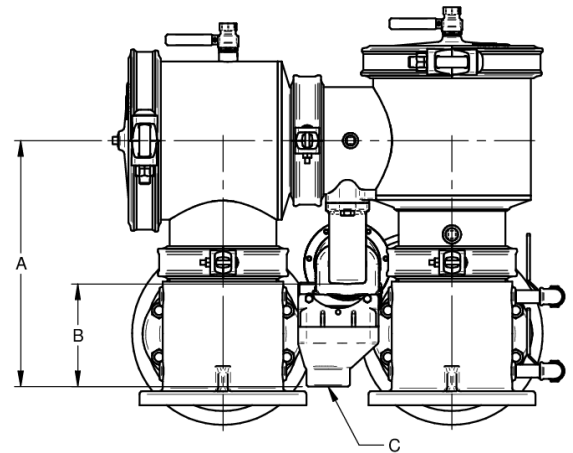
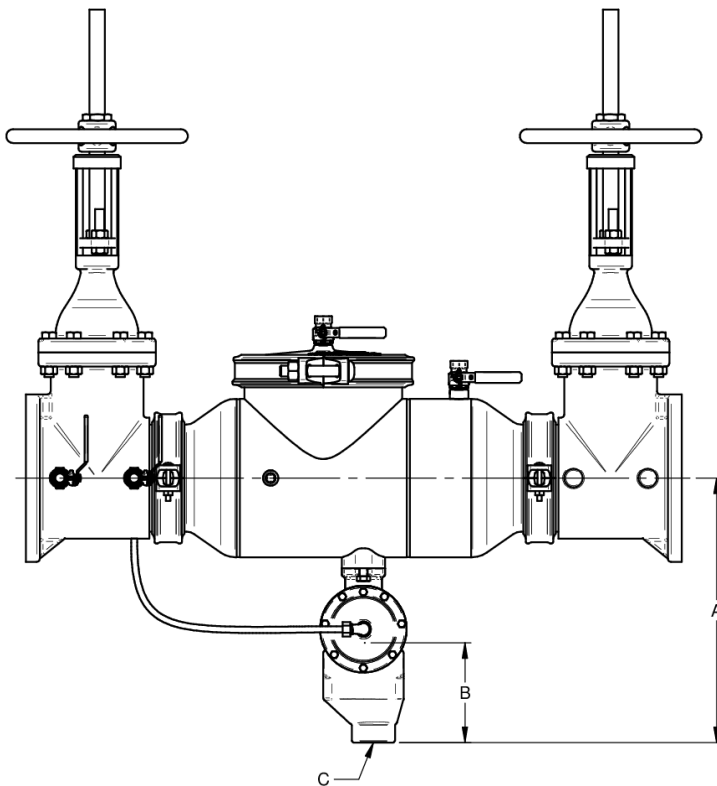
DESCRIPTION

The Apollo Air Gap Drain (AGD4A8) is designed to funnel minor relief valve (RV) discharges due to line pressure fluctuations and/or minor check valve fouling into the drainage system. The AGD4A8 fits Apollo's Model RP4A and RP4AN in size 8".

Notes:

Drainage piping is easily attached to the threaded portion of the AGD. The female NPT size is listed in the table under "Outlet Connection". The AGD4A8 is ABS plastic with stainless steel screws and nuts. Drainage piping may be attached with a coupling and the appropriate cement or with a flexible pipe coupling. The OD is listed in the table under "OD of C".

The AGD4A8 is **NOT** designed to collect the full discharge capacity of the relief valve. Please refer to page 4 for RP Relief Valve full discharge rates.



Model	AGD Model No.	Order Code	A	B	OD of C	Outlet Connection	Wt. Each
RP4A	AGD4A8	AGD4A8	21.3	9.1	3" Pipe	2-1/2" FNPT	1.5
RP4AN	AGD4A8	AGD4A8	19.8	9.1	3" Pipe	2-1/2" FNPT	1.5

Conbraco Industries, Inc. 701 Matthews Mint Hill Rd. Matthews NC 28105 USA ; www.apollovalves.com ; 704-841-6000

This specification is provided for reference only. Conbraco reserves the right to change any portion of this specification without notice and without incurring obligation to make such changes to Conbraco products previously or subsequently sold.

AGD4A SERIES AIR GAP DRAINS

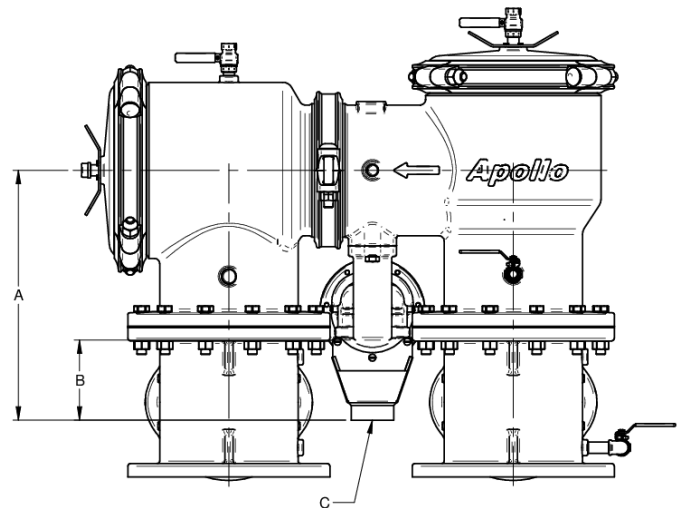
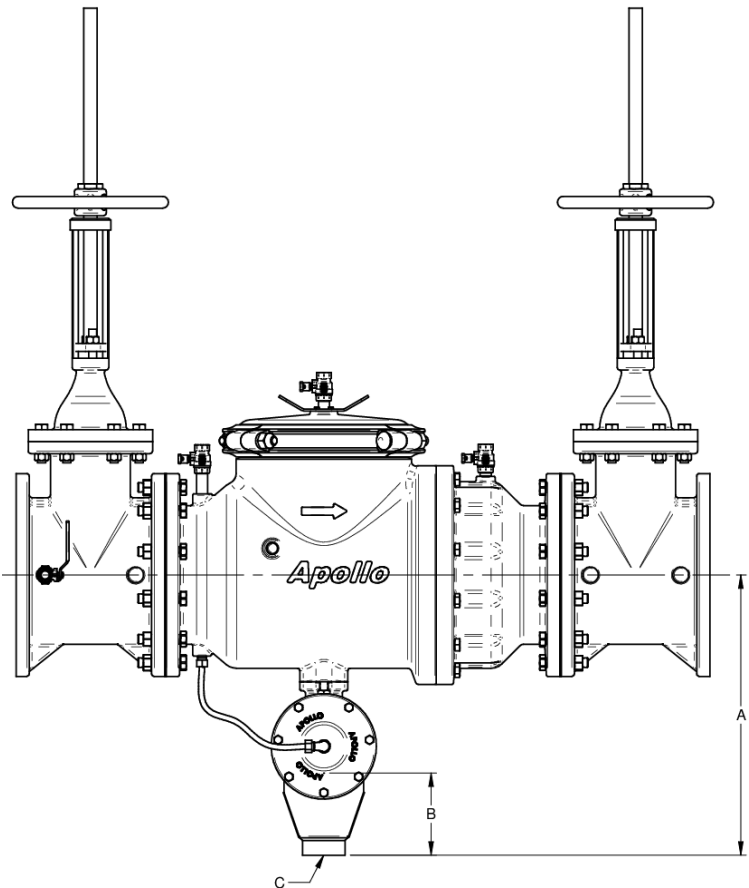
DESCRIPTION

The Apollo Air Gap Drain (AGD4A12IN) is designed to funnel minor relief valve (RV) discharges due to line pressure fluctuations and/or minor check valve fouling into the drainage system. The AGD4A12IN fits Apollo's Model RP4A and RP4AN in sizes 10" and 12".

Notes:

Drainage piping is easily attached to the threaded portion of the AGD. The female NPT size is listed in the table under "Outlet Connection". The AGD4A12IN is epoxy-coated steel with stainless steel screws.

The AGD4A12IN is **NOT** designed to collect the full discharge capacity of the relief valve. Please refer to page 4 for RP Relief Valve full discharge rates.

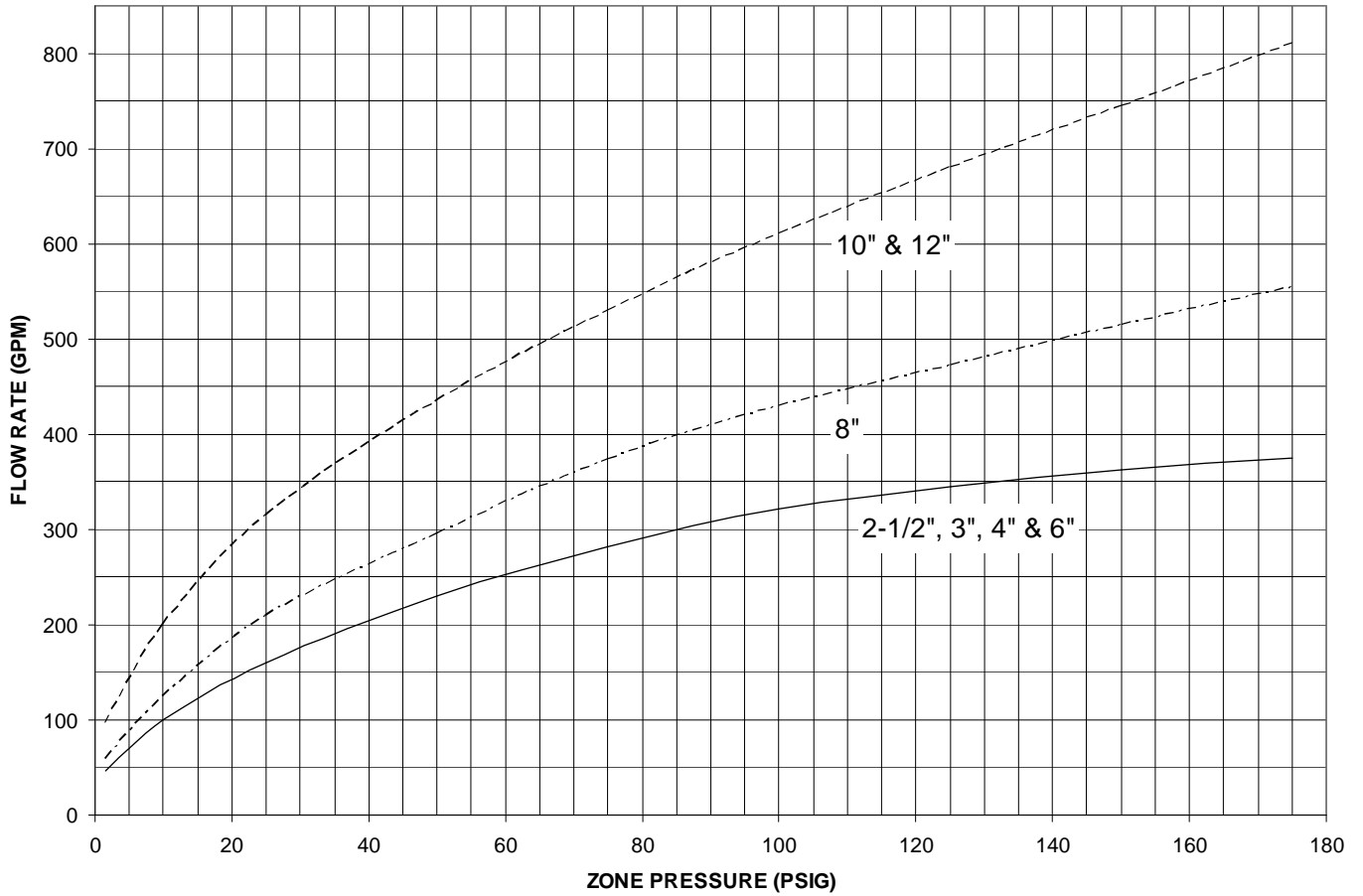


Model	AGD Model No.	Order Code	A	B	OD of C	Outlet Connection	Wt. Each
RP4A	AGD4A12	AGD4A12	26.3	7.7	4.00"	3" FNPT	4
RP4AN	AGD4A12	AGD4A12	23.4	7.7	4.00"	3" FNPT	4

Conbraco Industries, Inc. 701 Matthews Mint Hill Rd. Matthews NC 28105 USA ; www.apollovalves.com ; 704-841-6000

This specification is provided for reference only. Conbraco reserves the right to change any portion of this specification without notice and without incurring obligation to make such changes to Conbraco products previously or subsequently sold.

AGD4A SERIES AIR GAP DRAINS



Relief Valve Discharge Rates
Model RP4A & RP4AN